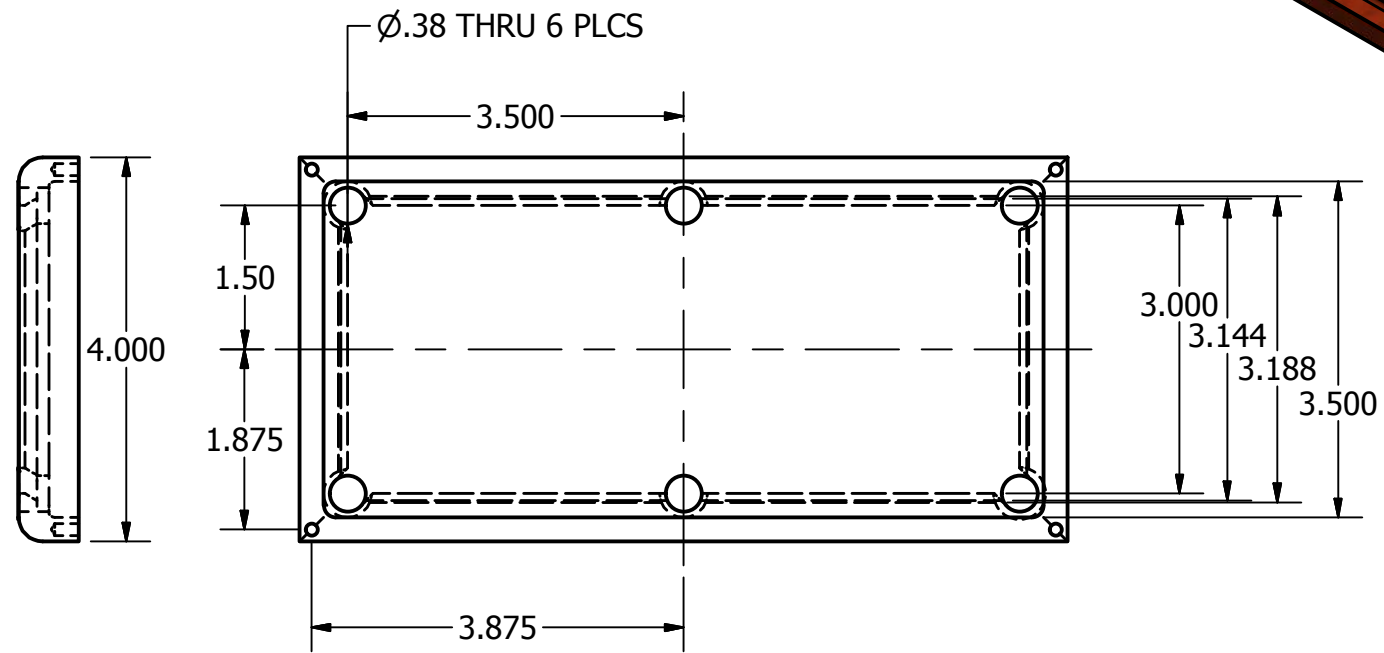
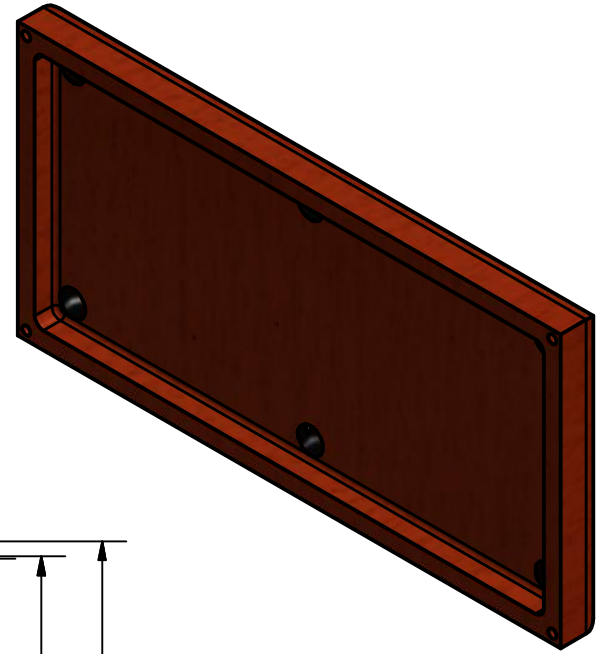


Pool Table Top Pocket .1875 Dp.



UNLESS OTHERWISE SPECIFIED
DIM. ARE IN INCHES
X°±1°
.X±.1
.XX±.03
.XXX±.005
INTERPRET DIM. AND TOL. PER
ASME Y14.5M-2009

INITIALS	DATE
DWG. BY bbusch	2/28/2016
CKD. BY	
APPD. BY	

603 WEST PARK STREET
SHELDON, IOWA 51201
(712)324-5061

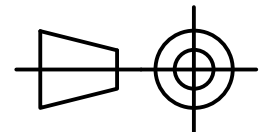


Northwest Iowa
Community College

TITLE

THIRD ANGLE PROJECTION

MATERIAL



Aluminum 6061

SIZE A	CAGE CODE	DWG NO.	TOP-1	REV.
SCALE	WEIGHT	N/A	SHEET	1